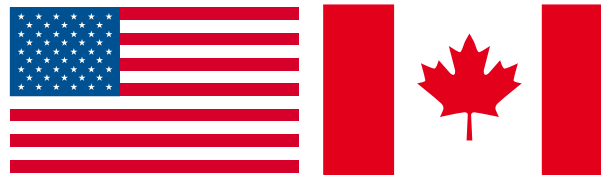


DraftStoppa® TopHat™

Specifications: 

- Approval No: 237083
- Model: AT100D
- Rating: 120V, 60 Hz, 0.92 A, 53.2 W
- Air movement at outlet of 10' duct: 200 cubic feet per minute.
- Duct: 6" x 10'
- Eave Vent: 7" x 7"
- Wiring terminal box

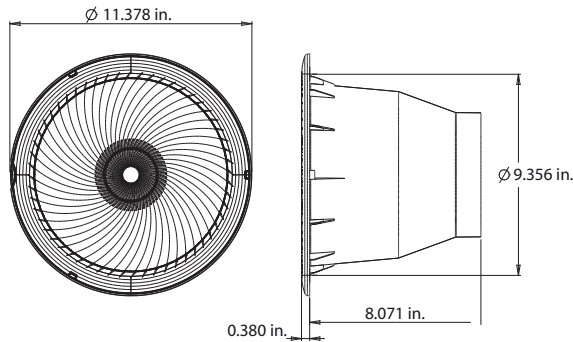


Not suitable for use in kitchens

Installation

Installation work and electrical wiring must be done by qualified person(s) in accordance with all applicable codes and standards, including fire-rated construction.

The DraftStoppa® TopHat™ totally self-sealing, energy-efficient exhaust fan is proudly designed and made in Australia, using all Australian-supplied components.



Advantec Australasia Pty Ltd

Australia

Phone: +61 2 6056 2822

Fax: +61 2 6024 6385

Email: draftstoppa@advantec.com.au

Web: www.draftstoppa.com

Patent Application: PCT/AU2006/000612

ENERGY SAVING

Ceiling Exhaust Fan

FEATURING the Revolutionary VorTecs™ Grille & Award Winning DraftStoppa® concept

Top performance!
Top efficiency!

DraftStoppa® **TopHat™**

Innovation in Ventilation



Australian Made and Owned



The innovative ceiling exhaust fan for all wet areas.

- Revolutionary **VorTecs™** grille boosts air movement, cuts energy usage.
- Unique blade design maximises air lift, minimises back draft.
- Award-winning **DrafftStoppa®** technology seals out dust, pollution, vermin, water and snow.

DrafftStoppa® TopHat™ saves on heating & cooling costs! Easy to install.

DrafftStoppa® TopHat™ is the innovative self-sealing, energy-efficient exhaust fan for all wet areas – bathroom, laundry, ensuite and kitchen.

Devised, developed and fully manufactured in Australia, the **DrafftStoppa® TopHat™** combines high output and maximum performance with a unique self-sealing design.

The **DrafftStoppa® TopHat™** is the only totally enclosed fan system with the ability to exhaust air to the outside without return air coming back in. It is designed for new buildings and can be retro-fitted into existing homes.

And the **DrafftStoppa® TopHat™** kit - containing fan, casing, grille, duct, tape, eave vent and hole template.

DrafftStoppa® TopHat™ - The totally self-sealing, energy-efficient exhaust fan.



DrafftStoppa® TopHat™
(view from underneath) OPEN



DrafftStoppa® TopHat™
(view from underneath) CLOSED



Revolutionary **VorTecs™** Grille

The DrafftStoppa® TopHat™ features:

- The original patented **DrafftStoppa®** mechanism, with balanced flaps which open when the fan is on and close under their own weight when it is off, thus keeping out external air, vermin, dust and odours while reducing energy costs.
- The revolutionary **VorTecs™** grille, featuring a unique “swirl” design fascia, which not only looks brilliant and is easy to clean, but significantly boosts air movement and cuts energy usage.
- A unique aerofoil blade design that maximises air lift, minimises back draft, and reduces noise level.
- An 8" slim-line fan in a funnel-shaped jacket, easy to fit in confined spaces and further optimising airflow characteristics, linked to 6" duct.
- 120V motor with air movement at outlet of 10' duct: 200 cubic feet per minute.

DrafftStoppa® TopHat™ - The most efficient way to exhaust air through a roof vent.