

# The DraftStoppa® TopHat™ AT200D

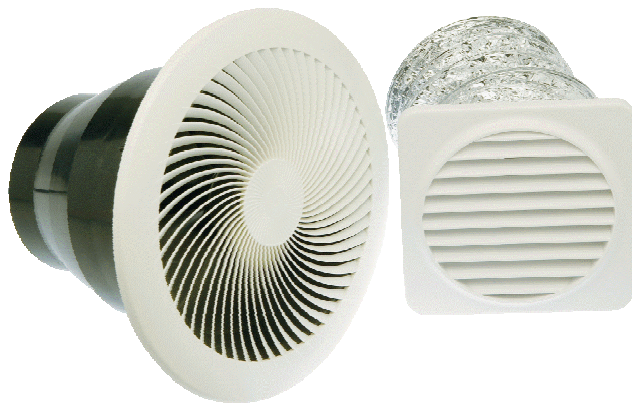


*Special Commendation*  
**Product of the Year**  
**HIA GreenSmart®**  
AWARDS FINALIST 2007

## DraftStoppa **TopHat** AT200D(240V)

### **Ceiling Exhaust Fan FEATURING the Revolutionary VorTecs Grille and Award Winning DraftStoppa Concept**

- The 'TopHat' prevents hot or cold air from entering the home via the exhaust fan.
- The 'TopHat' keeps out vermin.
- The 'TopHat' is a totally self-sealing, energy efficient exhaust fan.
- The 'TopHat' prevents polluted air from entering other parts of the home.
- The 'TopHat' is encased in a newly designed body for ducting through the roof or eaves.



### **The DraftStoppa® TopHat™ features:**

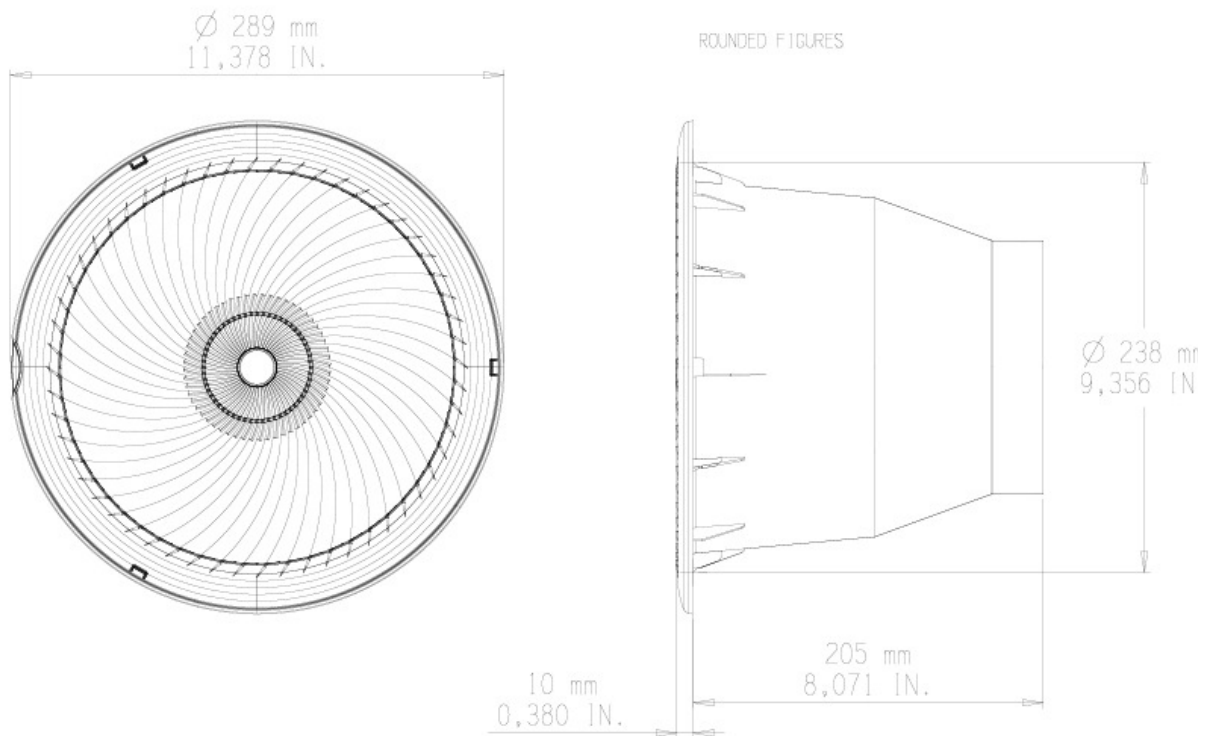
- The original patented DraftStoppa® mechanism, with balanced flaps which open when the fan is on and close under their own weight when it is off, thus keeping out external air, vermin, dust and odors while reducing energy costs.
- The revolutionary VorTecs™ grille, featuring a unique "Swirl" design fascia, which not only looks brilliant and is easy to clean, but significantly boosts air movement and cuts energy usage.
- A unique aerofoil blade design that maximizes air lift, minimizes back draft, and reduces noise level.
- An 200mm slim-line fan in a funnel-shaped jacket, easy to fit in confined spaces and further optimizing airflow characteristics, linked to a 6" duct.
- 240V motor with a minimum air movement at outlet of 3 metre duct: 360 cubic feet per minute.

**DraftStoppa® TopHat™ - the totally self-sealing, energy efficient exhaust fan.**

## Specifications

- Model Number: AT200D
- Rating: 240V, 50Hz, 35W
- Air movement: 360m<sup>3</sup> per hour (100 litres per second)  
*Note: tested at outlet of 3 metre duct*
- Duct: 150mm  $\varnothing$  x 3m
- Eave Vent: 180mm x 180mm
- Plug & Lead: 800mm
- Kit: Fan, Duct, Eave Vent and Tape (*roof vent not included*)

*Note: **TopHat™** is not suitable for use in range hoods*



*"I put in a top hat on the weekend and am really pleased with it. The unit went straight into the old fan hole easily and plugged straight into the existing power point. What really impressed was the quality of the design and its execution. The proof is in the operation. It sucks much more air than the old fan and all the moisture now goes outside." J Castles*

# The DraftStoppa® TopHat™ AT200D

## Installation



Figure 1

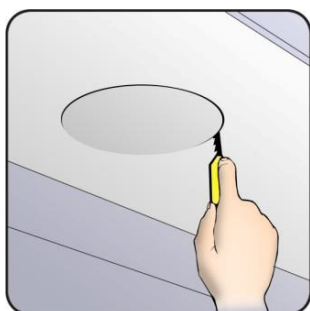


Figure 2



Figure 3



Figure 4

1. Select location to mount the fan and ensure there are no hidden obstructions.
2. Using the supplied (236mm) fan template (Figure 1), trace a circle onto ceiling area in fan location.
3. Use Jigsaw or other appropriate method to cut along the marked line (Figure 2)
4. Remove the grille from the fan and insert fan body into hole.
5. Screw down locking tabs. (Figure 3)
6. Attach VorTecs™ grille by pressing grille firmly onto DraftStoppa® TopHat™ base. (Figure 4)
7. Depending on option used, install either the roof vent (not supplied) onto the roof **OR** the eave vent into the eave.

**Note: The preferred method of installation is to duct directly to the outside via a roof vent (not supplied) located on the roof.**

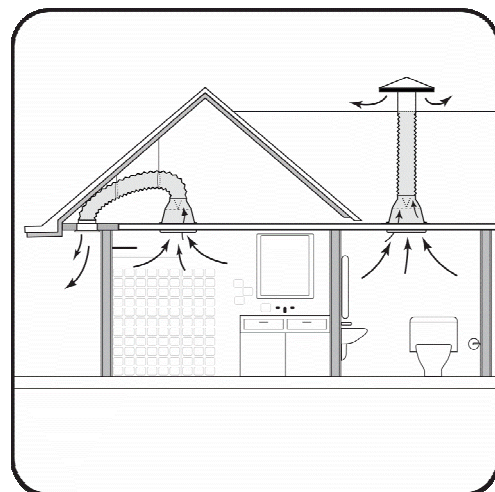
8. From inside the ceiling cavity, plug in the electrical cord to the power point, or hardwire depending on your situation.

**Note: Hardwiring or new connections must be carried out by a licensed electrician only.**

9. Attach one end of the ducting to the DraftStoppa® TopHat™ and the other to either the Roof Vent or Eave Vent using the tape supplied.

**Note: It is recommended that if using the Eave Vent method, ducting should be suspended from the rafters. Ensure duct is kept taut (refer to diagram right)**

9. Turn on and test system.



## Important Safety Precautions

**WARNING! TO REDUCE THE RISK OF FIRE, ELECTRIC SHOCK, OR INJURY TO PERSONS, OBSERVE THE FOLLOWING:**

- Not for use in range hoods.
- Hardwiring or new connections must be carried out by a licensed electrician only.
- The supply cord of this fan cannot be replaced if cord is damaged. The equipment should be discarded.
- The fan is for ceiling mounting only and must to be installed at least 2.1 m above the floor.
- Precautions must be taken to avoid the back-flow of gases into the room from the open flue of gas or other fuel-burning appliances.
- Necessity to allow disconnection of the appliance from the supply after installation. The disconnection may be achieved by incorporating a switch in the fixed wiring in accordance with the wiring rules. The isolation switch shall have a contact separation in all poles that provides full disconnection under over voltage category III conditions, the instructions shall state that means for disconnection must be incorporated in the fixed wiring in accordance with the wiring rules.
- This appliance is not intended for use by young children or infirm persons unless they are adequately supervised by a responsible person to ensure that they can use the appliance safely.
- Young children should be supervised to ensure that they do not play with the appliance.

### CLEANING INSTRUCTIONS

- Switch off at power point.
- Remove Grille and wash in warm soapy water, then rinse thoroughly with clean water.
- Wipe blades with a damp sponge or cloth.

**NEVER immerse the DraftStoppa® TopHat™ in cleaning solution or any other liquid.**

*Just thought I would drop you a quick email to let you know that ecoMaster installed the first TopHat in a client's bathroom yesterday. The clients love it so much that they want another one in the kitchen. What is surprising about this is that the home is a rental property and the clients are tenants. The landlord paid for the one in the bathroom. The tenants are going to pay for the one in the kitchen! It's a great product. Well done. Lyn Beinat - ecoMaster*

## Warranty



### 2 YEAR WARRANTY

*No user serviceable parts. Return to supplier for repair.*

Advantec Australasia Pty Ltd warrants to the purchaser of this product that, in normal **domestic** use, if any part thereof proves to be defective in workmanship or material under normal domestic use within two years from the date of original purchase. Such defective part will be repaired or replaced at Advantec's discretion free of charge. Advantec is not responsible for removal and shipping of this product to the service agent, the re-installation of the product upon return to the customer, or any incidental or consequential damages resulting from the defect, removal, reinstallation, shipment or otherwise. Advantec is not responsible for losses in transit.

To obtain service under guarantee, the product should be returned to the point of original purchase with completed warranty form and your purchase receipt.

The warranty excludes damage caused by misuse, neglect, accident, damage in transit or normal wear and tear.

### Warranty Conditions

- For domestic use only.
- This warranty is only valid for appliances used according to the manufacture's instructions.
- This appliance must not be modified or changed in any way.
- Warranty will only be given where proof of purchase is provided. I.e.. Original invoice.